

### BAR TYPE FORKS

#### Customer

Company: \_\_\_\_\_

Phone: \_\_\_\_\_

Contact: \_\_\_\_\_

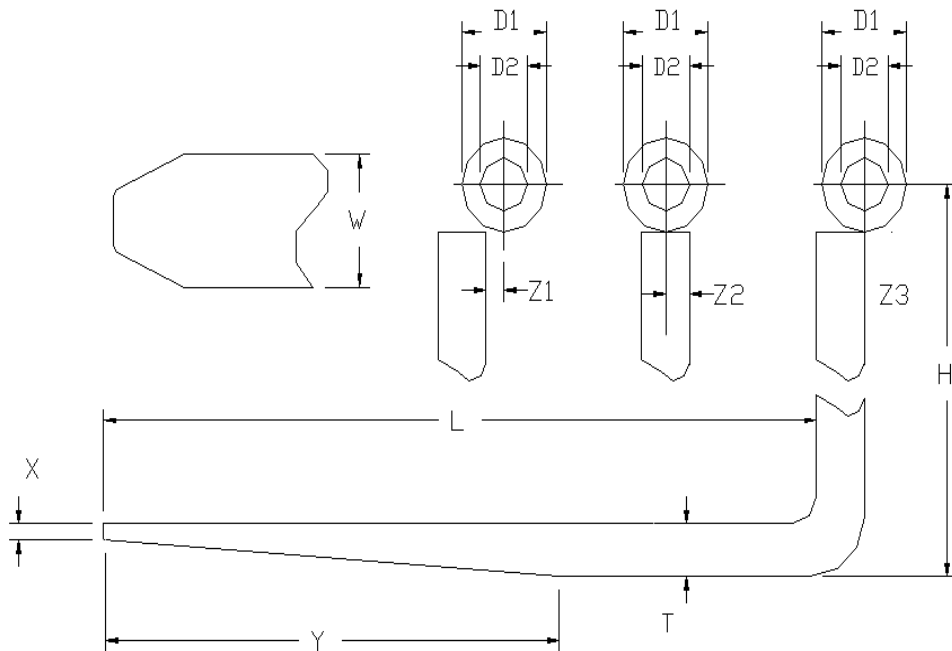
E-mail: \_\_\_\_\_

#### Machine

Make & model: \_\_\_\_\_

Capacity: \_\_\_\_\_

Comments: \_\_\_\_\_



#### Fork dimensions:

W .....

H .....

T .....

D1 .....

L .....

D2 .....

X .....

Y .....

Z1 .....

Z2 .....

Z3 .....

Signed: \_\_\_\_\_

Date: \_\_\_\_\_

